

# Technical data sheet

## Product features



### Pot and pan washer double skin 50x60 - 400 V

<b>Model</b>	<b>SAP Code</b>	00014556
--------------	-----------------	----------



- Display type: ProScreen - 4 digit display + 2 LED bars
- Number of programs: 9
- Number of skin: 2
- Door clear height [mm]: 400
- Rack size [mm]: 500 x 600
- Water consumption of the washing cycle: 2,4-3,5
- Washing cycle time [s]: 60 - 720
- Detergent and rinse pump system: ProDose - accurate dosing with a peristaltic pump
- Wash pump type: two-way - DuoFlow
- Self-cleaning cycle: Yes
- Drain filter: ArchiMedes - double filtration with overflow discharge ensures only 18% loss of clean water to waste

<b>SAP Code</b>	00014556	<b>Boiler power [kW]</b>	7.000
<b>Net Width [mm]</b>	600	<b>Basin volume [l]</b>	23
<b>Net Depth [mm]</b>	700	<b>Tank power [kW]</b>	2.100
<b>Net Height [mm]</b>	1290	<b>Water consumption of the washing cycle</b>	2,4-3,5
<b>Net Weight [kg]</b>	71.00	<b>Washing cycle time [s]</b>	60 - 720
<b>Power electric [kW]</b>	9.800	<b>Door clear height [mm]</b>	400
<b>Loading</b>	400 V / 3N - 50 Hz	<b>Rack size [mm]</b>	500 x 600
<b>Boiler capacity [ l ]</b>	6.00	<b>Noise of device</b>	49,0

# Technical data sheet

Technical drawing

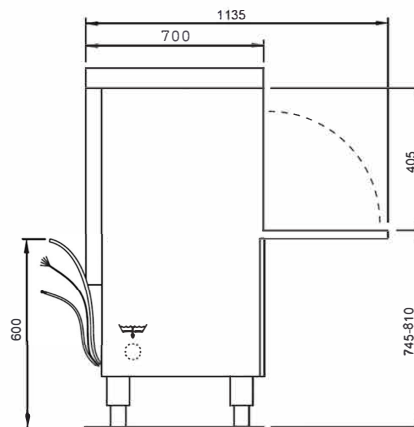
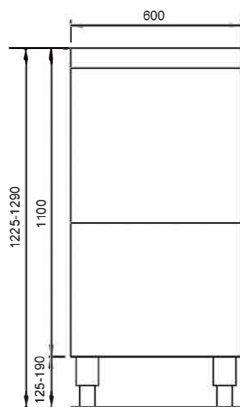


Pot and pan washer double skin 50x60 - 400 V

Model

SAP Code

00014556



# Technical data sheet

Technical parameters



## Pot and pan washer double skin 50x60 - 400 V

**Model**

**SAP Code**

00014556

**1. SAP Code:**

00014556

**2. Net Width [mm]:**

600

**3. Net Depth [mm]:**

700

**4. Net Height [mm]:**

1290

**5. Net Weight [kg]:**

71.00

**6. Gross Width [mm]:**

700

**7. Gross depth [mm]:**

800

**8. Gross Height [mm]:**

1250

**9. Gross Weight [kg]:**

77.00

**10. Device type:**

Electric unit

**11. Control type:**

Digital

**12. Material:**

AISI 304

**13. Power electric [kW]:**

9.800

**14. Loading:**

400 V / 3N - 50 Hz

**15. Number of programs:**

9

**16. Door clear height [mm]:**

400

**17. Inlet pressure:**

2-4bar

**18. Adjustable feet:**

Yes

**19. Number of skin:**

2

**20. Self-cleaning cycle:**

Yes

**21. Boiler capacity [ l ]:**

6.00

**22. Boiler power [kW]:**

7.000

**23. Basin volume [l]:**

23

**24. Tank power [kW]:**

2.100

**25. Number of arms for both rinsing and washing:**

2

**26. Arm connection:**

Click-clack - easy removal with one hand

**27. Washing arm type:**

Rotating trident

**28. Washing arm material:**

Composite

# Technical data sheet

## Technical parameters



### Pot and pan washer double skin 50x60 - 400 V

**Model**

**SAP Code**

00014556

**29. Rinsing arm type:**

Rotating trident

**30. Rinsing arm material:**

Composite

**31. Deep drawn tank:**

Yes

**32. Rack support:**

Pressed

**33. Tank surface strainers:**

composite

**34. Drain filter:**

ArchiMedes - double filtration with overflow discharge ensures only 18% loss of clean water to waste

**35. Thermostop:**

Yes

**36. Boiler thermostat adjust:**

Yes

**37. Detergent and rinse pump system:**

ProDose - accurate dosing with a peristaltic pump

**38. Energy Saving system:**

EnergySaving - Energy saving system due to lowering the boiler temperature

**39. Heating system:**

HotWash - System of simultaneous operation of the heating element of the bath and the boiler, reducing the time for starting the next cycle

**40. Hot water electric valve:**

Yes

**41. Rack size [mm]:**

500 x 600

**42. Display type:**

ProScreen - 4 digit display + 2 LED bars

**43. USB port:**

Yes, for Firmware actualisation

**44. Self-diagnostics:**

Yes

**45. Wash pump type:**

two-way - DuoFlow

**46. Detergent dispenser:**

Yes

**47. Rinse aid dispenser:**

Yes

**48. Water consumption of the washing cycle:**

2,4-3,5

**49. Washing cycle time [s]:**

60 - 720

**50. Rinse water temperature [Å°C]:**

80-85

**51. Additional information:**

The product comes with 1x RM Clean+ 12 kg (00012271) and 1x RM Rinse+ 10 kg (00012273) for free

**52. Program ProFessional 2:**

Yes

**53. Program ProFessional 4:**

Yes

**54. Program ProFessional 6:**

Yes

# Technical data sheet

Technical parameters



Pot and pan washer double skin 50x60 - 400 V

Model

SAP Code

00014556

**55. Program ProSelf:**

Yes

**59. Program ProActive 5:**

Yes

**56. Program ProEco:**

Yes

**60. Program ProActive 7:**

Yes

**57. Program ProLong:**

Yes

**61. Noise of device:**

49,0

**58. Program ProPlates:**

Yes